

## Installation Manual Double DIN Kit Porsche Cayenne



7. Connect all required circuit points

Place Alpine INE-W928R on dashboard and fix it with 4 screws

Place OEM trim panel to finish installation



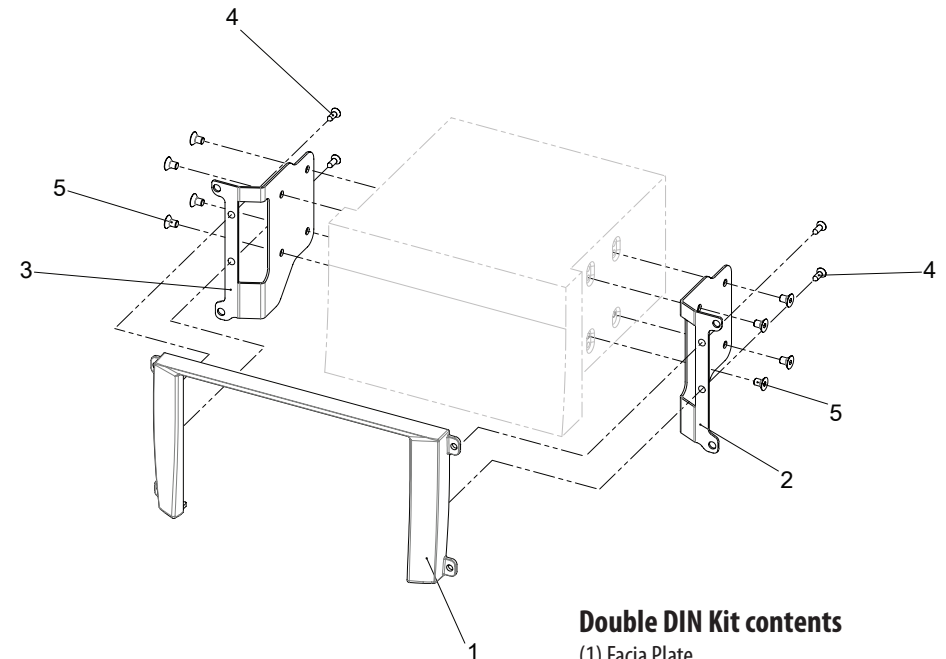
## Installation Manual INE-W928R Kit

- Porsche Cayenne (9PA) 12/2002 - 05/2010

colour / part-no.:  
black: KIT-8CYE

Compatible with these Alpine navigation devices

### INE-W928R



#### Double DIN Kit contents

- (1) Facia Plate
- (2) Mounting Bracket Right
- (3) Mounting Bracket Left
- (4) countersunk flat head tapping screw
- (5) hexagon socket countersunk flat head screw

## Installation Manual Double DIN Kit Porsche Cayenne



1. Unclip trim frame very carefully  
*(Caution! alloy frame is very weak against deforming)*



2. Remove trim frame



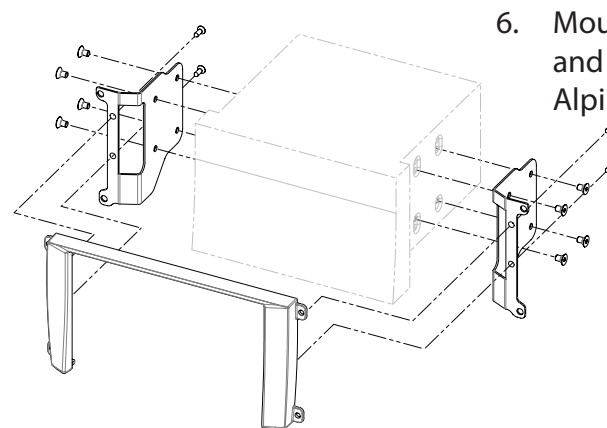
3. Remove 4 screws of OEM head unit



4. Remove OEM head unit



5. Remove transport lock of new facia plate



6. Mount mounting brackets and facia plate to Alpine INE-W928R

*All installation work must be performed by a qualified professional installer.  
The manufacturer / dealer is not liable for any kind of incidental or indirect damages.*